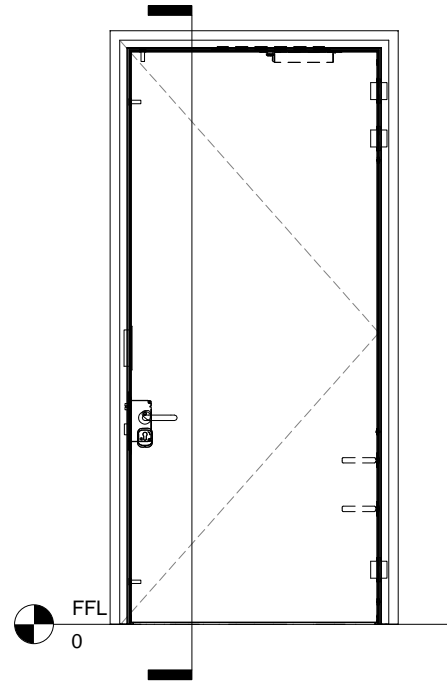
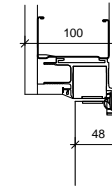


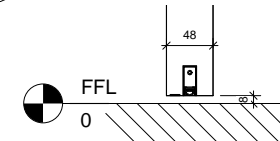
**1 3D External View**



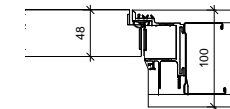
**2 Door Elevation**  
1 : 20



**3 Head Detail**  
1 : 5



**4 Undercut Detail**  
1 : 5



**5 Jamb Detail**  
1 : 5

Additional Information	Vision Panel	Minimum Edge Margin	Maximum Area	Sample Sizes				Maximum Size	
				-	L	H	/	L	H
Round	/	/	/	LPN	837	2393		1011	2772
				LP	882	2393		1056	2772
				ET	988	2446	+15%	1136	2812
Rectangular	/	/	/	FM	988	2446		1136	2812
				AREA		3.25	+20%		3.90

Rev By	Date	Reason to Revision	Rev No.	Drawing Title: Scheda tecnica X277 SYSTEM		
				Contract: Chemolli Fire		Drawing No. X277
				Scale: N.T.S.	Requested By:	Drawn By: TM
				Initial Drawing: 16-08-2018	Revision:	

**CHEMOLLI FIRE®**  
certified innovations

CHEMOLLI s.a.s. di Eros Chemolli & C.      +39 0464 518969  
 Via Fitta, 1 - 38062 - Arco (TN)            +39 0464 244539  
 Warehouse: Via Matteotti, 39 - 38065 - Mori (TN)    info@chemollifire.com

© All items on this drawing are the property of Chemolli Fire and as such are copyrighted by them. No drawing should be copied, edited or retained by another party unless prior written permission is obtained. All scales attached to this drawing are meant as a guide and as such this document should not be scaled from. All dimensions where it is applicable should be checked on site by the contractor prior to commencement of any work.